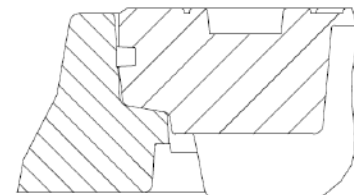
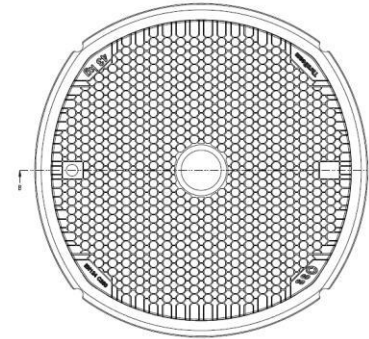
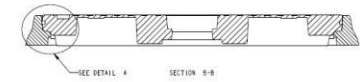


ITEM NO.	PART NUMBER	DESCRIPTION	QTY.
1	SLR4200 Frame	42" Composite Frame	1
2	SLR4200 Cover	42" Composite Cover	1
3	SKR4200 Skirt	10" Flared Skirt	1

REVISIONS			
REV.	DESCRIPTION	DATE	APPROVED

# MwayPro 42" Composite Cover



DETAIL X

## 42" COMPOSITE MANWAY COVER



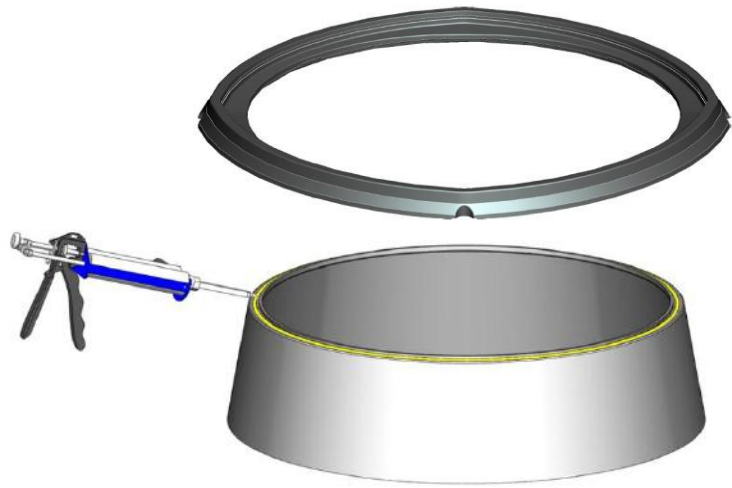
**icon**  
Containment Solutions

PROPRIETARY AND CONFIDENTIAL  
The information contained within this drawing is the sole property of Icon Containment Solutions. Any reproduction in part or as a whole without the permission of Icon Containment Solutions LLC is prohibited.

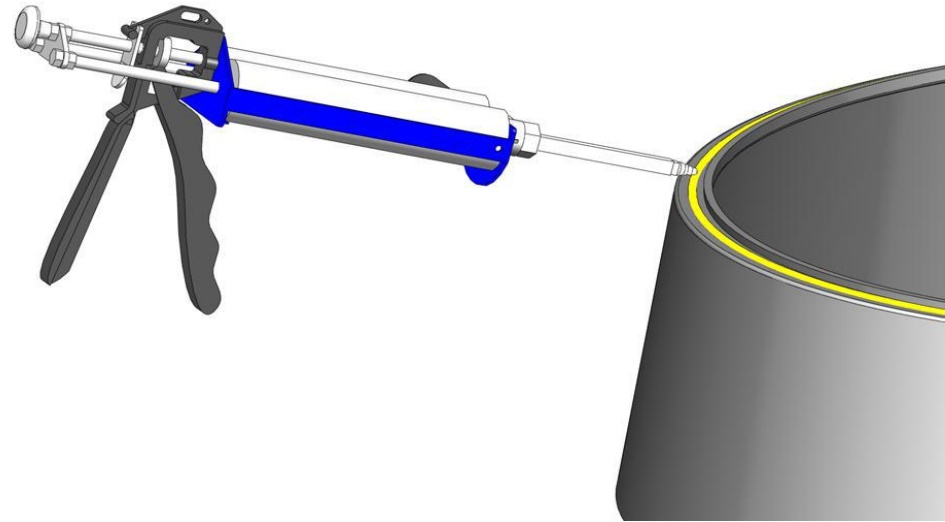
UNLESS OTHERWISE SPECIFIED:		NAME	DATE	
DIMENSIONS ARE IN INCHES	DRAWN	DH	9-28-11	
TOLERANCES:	CHECKED			
FRACTIONAL:	ENG APPR.			
ANGULAR: MACH: BEND:	MFG APPR.			
TWO PLACE DECIMAL:	Q.A.			
THREE PLACE DECIMAL:	COMMENTS:			
MATERIAL	TITLE: <b>SLR4200 Assembly</b> <b>42" Composite Cover</b>			
FINISH	SIZE	DWG. NO.	REV	
DO NOT SCALE DRAWING	<b>C</b>	42" Assembly		
	SCALE: 1:4.5	WEIGHT:	SHEET 1 OF 3	

REVISIONS			
REV.	DESCRIPTION	DATE	APPROVED

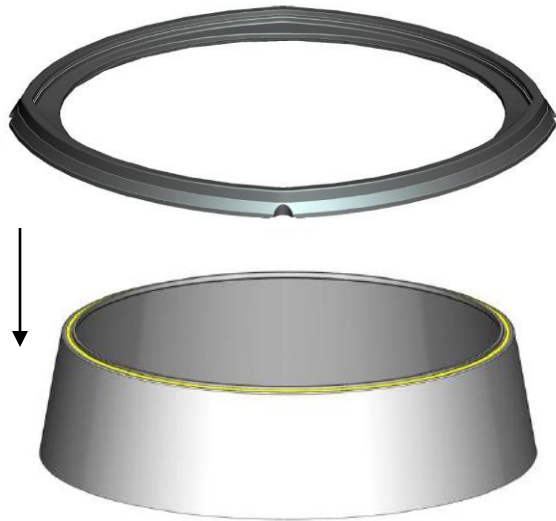
Step One



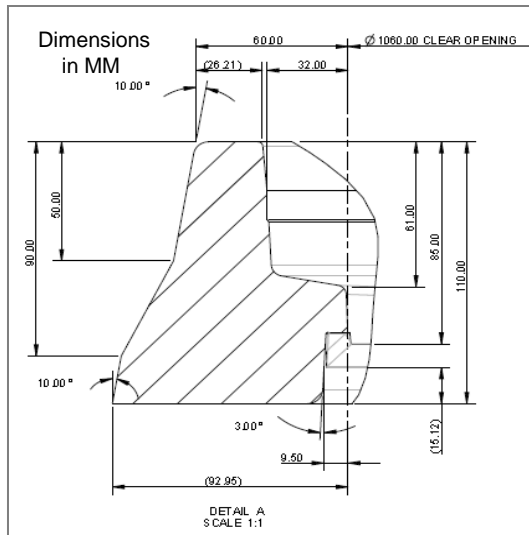
Apply a bead of fiberglass adhesive around the entire lip of the skirt. Use iCon Fibrefuse




Step Two



Place the frame on top of the skirt, making sure the skirt is centered in the frame.



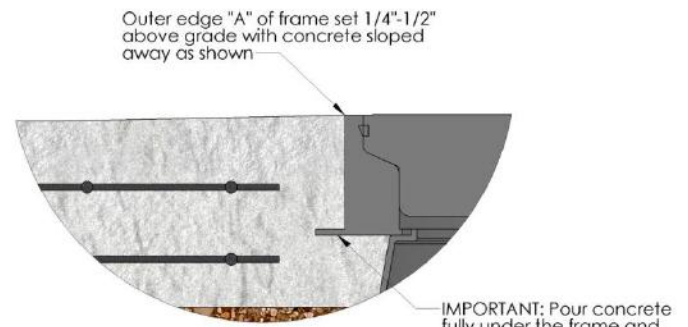
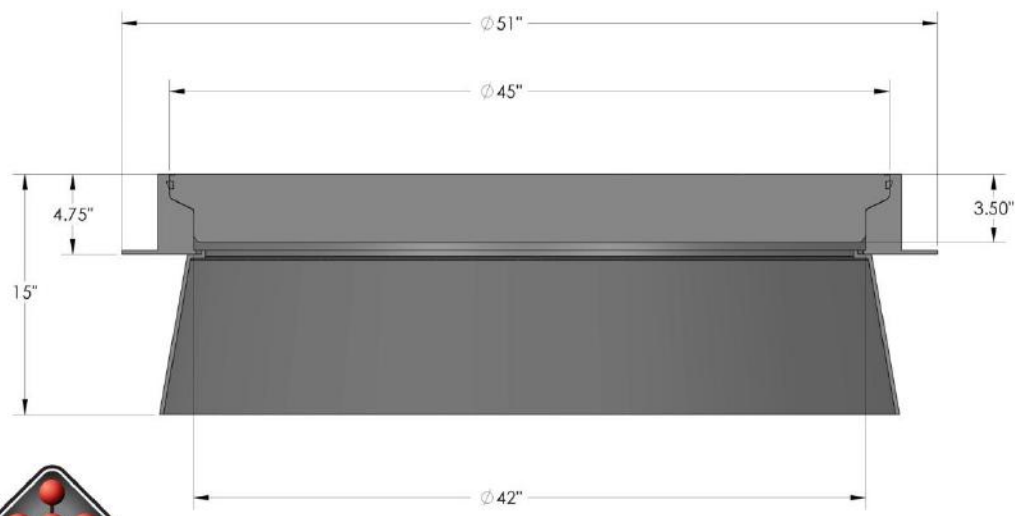
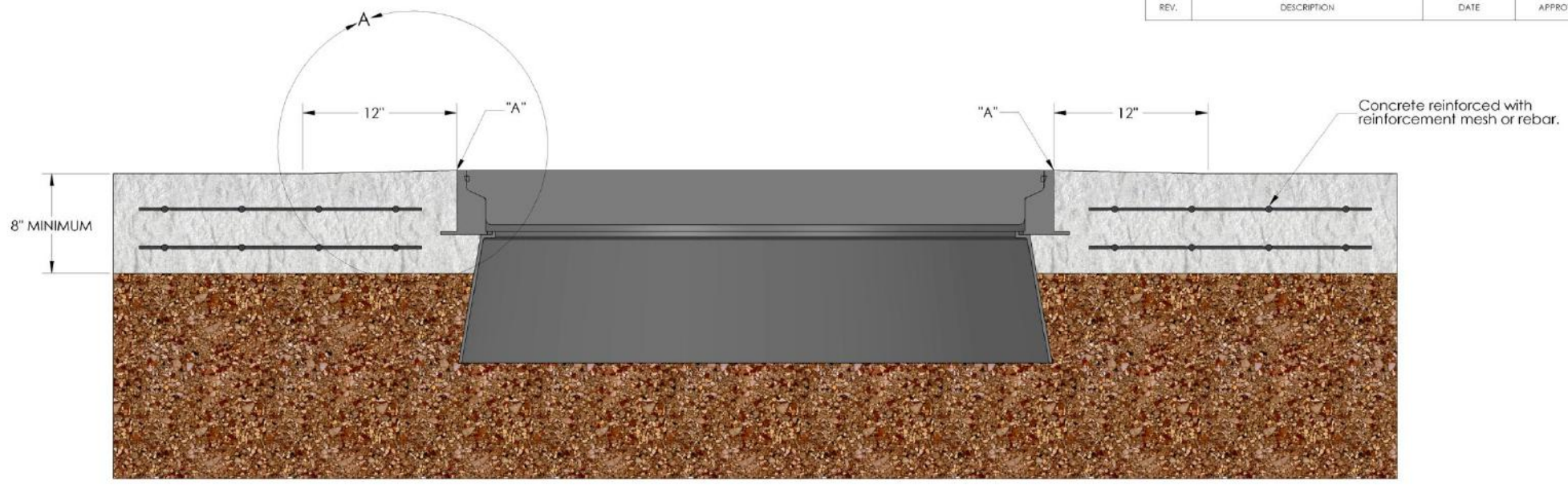
UNLESS OTHERWISE SPECIFIED:		NAME	DATE		
DIMENSIONS ARE IN INCHES		DRAWN	DH		7/31/07
TOLERANCES:		CHECKED			
FRACTIONAL ±		ENG APPR.			
ANGULAR: MACH ± BEND ±		MFG APPR.			
TWO PLACE DECIMAL ±		Q.A.			
THREE PLACE DECIMAL ±		COMMENTS:			
MATERIAL		TITLE:		<b>SLR4200 Assembly</b> <b>42" Composite Cover</b>	
FINISH		SIZE	DWG. NO.		REV
DO NOT SCALE DRAWING		SCALE: 1:5		WEIGHT:	
		SHEET 2 OF 3			

PROPRIETARY AND CONFIDENTIAL  
The information contained within this drawing is the sole property of Icon Containment Solutions. Any reproduction in part or as a whole without the permission of Icon Containment Solutions LLC is prohibited.



**icon**  
Containment Solutions

REVISIONS			
REV.	DESCRIPTION	DATE	APPROVED



DETAIL A SCALE 1 : 4

IMPORTANT: Pour concrete fully under the frame and up to the skirt to ensure a solid installation.



PROPRIETARY AND CONFIDENTIAL  
The information contained within this drawing is the sole property of Icon Containment Solutions. Any reproduction in part or as a whole without the permission of Icon Containment Solutions LLC is prohibited.

UNLESS OTHERWISE SPECIFIED:	NAME	DATE
DIMENSIONS ARE IN INCHES	DRAWN	DH 7/31/07
TOLERANCES:	CHECKED	
FRACTIONAL:	ENG APPR.	
ANGULAR: MACH: BEND:	MFG APPR.	
TWO PLACE DECIMAL:	Q.A.	
THREE PLACE DECIMAL:	COMMENTS:	
MATERIAL		
FINISH		
DO NOT SCALE DRAWING		

**MwayPro**  
Composite Covers

TITLE: **SLR4200 Assembly 42" Composite Cover**

SIZE: **C** DWG. NO.: **42" Assembly** REV:

SCALE: 1/6 WEIGHT:  SHEET 3 OF 3