

*****Read Instructions Completely Before Installing***** REV 02/21

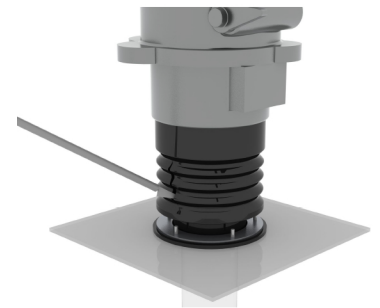
STEP 1

Remove the band clamps and the nuts from the sump fitting to be repaired. Save the nuts so they can be reinstalled once the new boot is in place. The Icon repair kit will include replacement band clamps. You will want to reuse the compression ring and nuts.



STEP 2

Cut away and remove the old boot leaving the metal ring intact. Clean and clear the surface below the existing boot so that the replacement fitting can fit flush with the sump bottom. Also clean the pipe area where the replacement fitting will make contact.



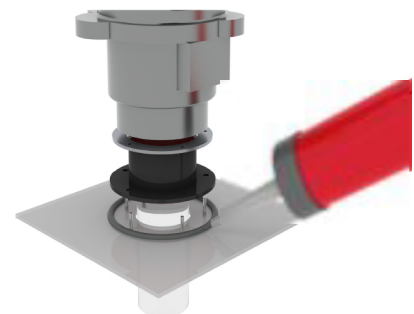
STEP 3

Slide the metal compression ring up and place the bottom flanged portion of the two-piece Icon split repair boot around the pipe. Clean and prime the split surface with acetone or isopropyl alcohol. Apply a liberal amount of FastFuse bonding solvent to the split surfaces, and then hold the seam closed securely for two to four (2-4) minutes without movement until it is bonded sufficiently to let go. It may be helpful to use the band clamps to loosely hold the seams together during the additional curing period. The FastFuse bond will be fully cured in 1 hour.



STEP 4

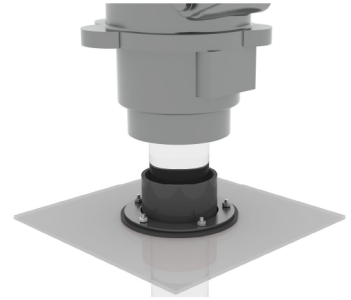
Once fully cured, apply a liberal bead of sealant (PetrolSeal or Sikaflex 1a) between the replacement fitting flange and the sump floor, then seat the flange onto the existing bolts.



*****Read Instructions Completely Before Installing***** REV 02/21

STEP 5

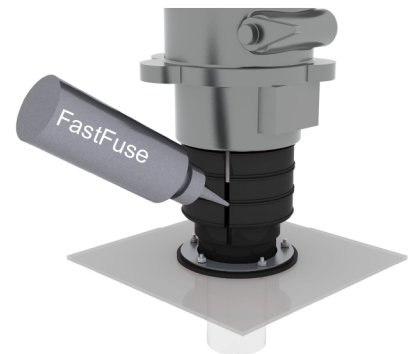
Reinstall the metal ring over the existing bolts, and the nuts, and then tighten in a star pattern until evenly and securely flush to the sump floor.

**STEP 6**

Apply a liberal coating of FastFuse glue around the upper cuff portion of the flanged boot where the two boots overlap.

**STEP 7**

Quickly install the upper portion of the split repair boot around the pipe, and apply a liberal coating of FastFuse glue on both surfaces of the split that are to be joined. You will want to have the band clamps already installed around the fitting and resting at the bottom so that you can quickly put the band clamps in place around the upper portion of the two-piece boot to hold it until fully cured. Follow the same process for split-fitting bonding as described in Step 3.

**STEP 8**

When completely cured, tighten the band clamp completely. You are ready for testing immediately after this step.

