



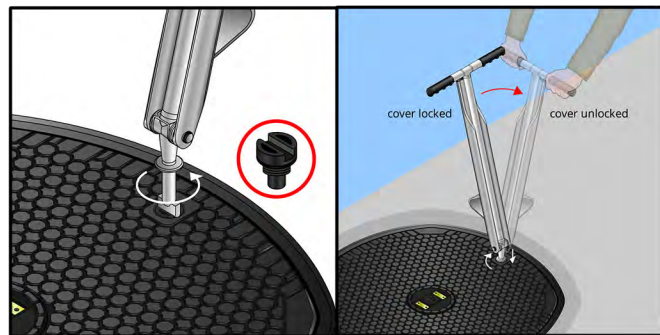
## MwayPro Watertight Manhole Covers



### COVER REMOVAL

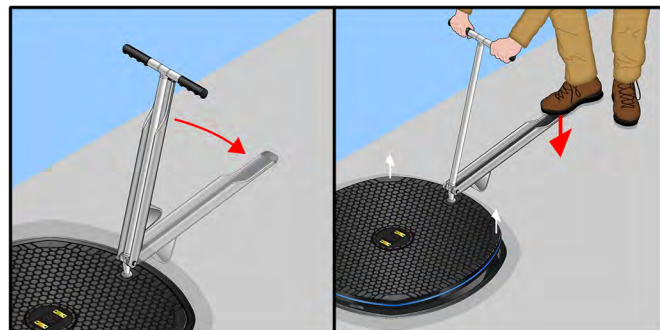
#### Step 1 Remove Plug & Unlock Cover

Use lifting tool to unscrew and remove access plug. DO NOT lose access plug. Insert tool into keyhole and turn handle 90° clockwise towards you to disengage cover lock as applicable, and to position tool for breaking seal between frame and cover.



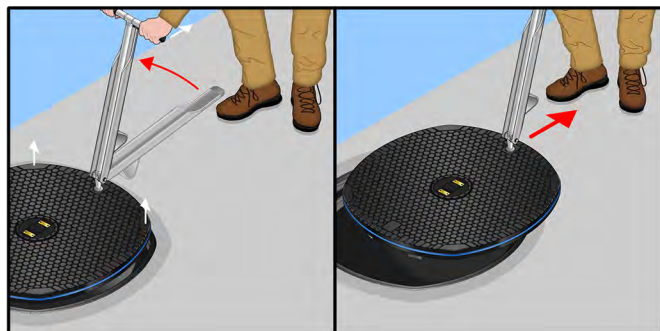
#### Step 2 Footplate & Release Cover

Release the foot plate from the seal breaker lifting tool. Step down firmly on the foot plate to release the cover from the frame.



#### Step 3 Lift & Pull the Cover From Frame

Fold back the foot plate into the lifting tool, and lift slightly and pull cover from frame.



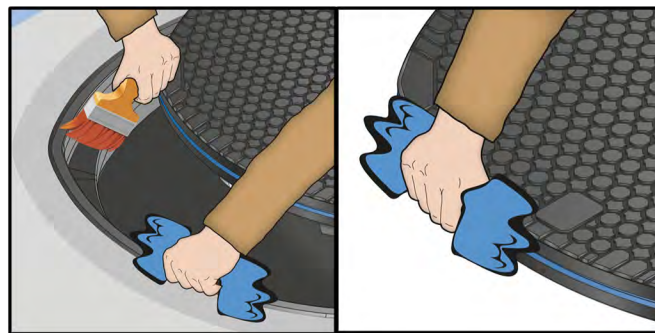
**ONLY use the MwayPro Lifting Tool!**  
Evidence of using any other device may damage the product & invalidate warranty



## COVER MAINTENANCE

### Step 1 Routine Cleaning Procedure

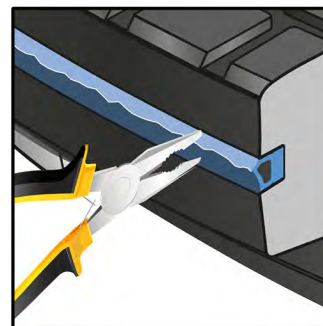
Inside surface of the frame should be brushed or wiped clean every time the cover is removed, before it is replaced. Also, wipe cover gasket surface with a clean cloth.



## COVER GASKET REPLACEMENT

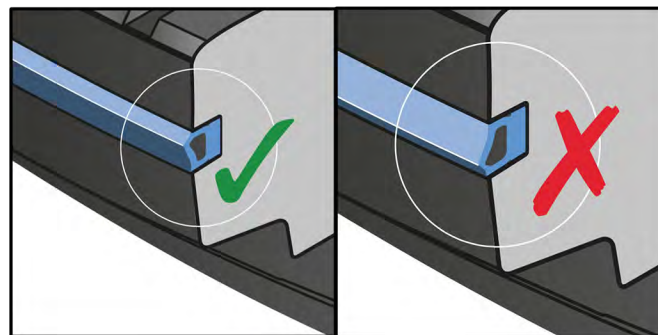
### Step 1 Remove Existing Gasket

Grab gasket w/ pair of needle-nose pliers. Pull out of gasket channel and cut for complete removal. Ensure gasket channel is clean w/ no obstruction.



### Step 2 Install New Gasket

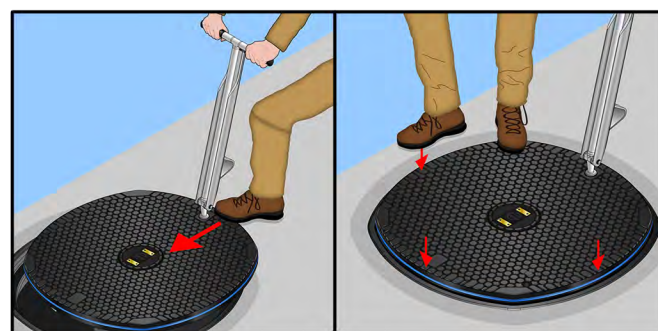
Correctly orient, and evenly stretch gasket around the cover and into the squared-backed gasket channel. Gently tap gasket w/ rubber mallet to make sure it is properly into position.



## COVER RETURN

### Step 1 Insert Tool & Push Cover

With lifting tool inserted into the keyhole as shown, push cover with foot and handles into the frame, and rotate the cover until seated properly. Stamp down onto cover to engage the seal.



### Step 2 Re-lock & Check

Turn lifting tool counter-clockwise to re-engage cover lock and remove the lifting tool. Replace keyhole access plug in the same way it was removed. Tighten with the lifting tool.

